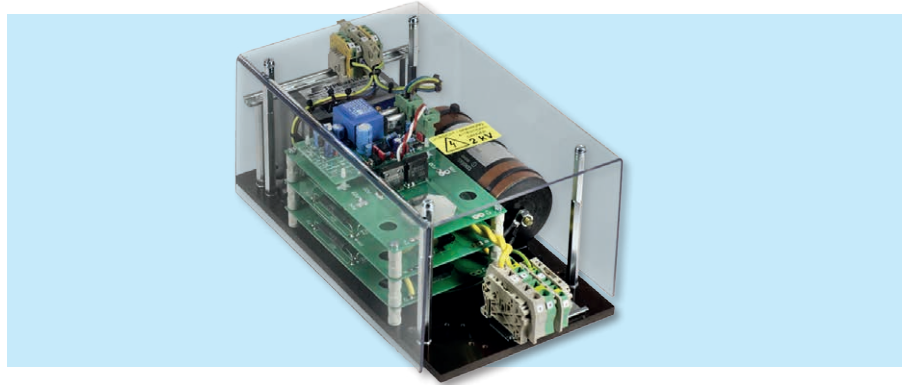
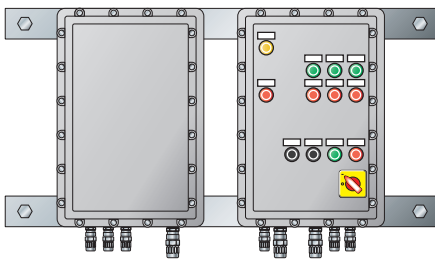
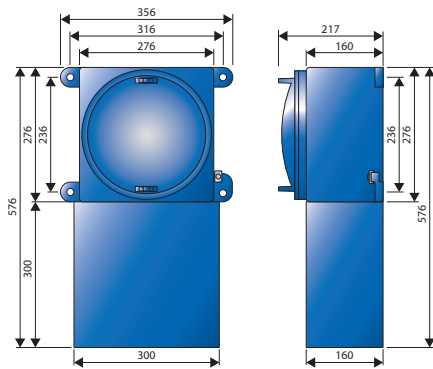


Ignition Units

Ignition and burner control for ignition burners, pilots burners, lances and spark plugs



Ignition Units for Igniters of Furnaces, Boilers and Incinerators

type	BWO(BG) 2/2 SV98H-CR
function	ignition, flame detection and remote start
design	Ex d housing for ignition unit and relays Ex e housing for terminals
spark energy	appr. 8 J
spark voltage	2000 Volt
spark frequency	2 Hz
power supply	230, 115 or 24 VAC 50–60 Hz
power consumption	37 VA
housing	Cast Aluminium (Ex d) - 316 SST Exe
dimensions	605 x 235 x 268 mm
protection	IP66
remote start relay	24 VDC
flame relay	ionisation SV98H
explosion proof	ATEX II 2G Ex de IIC T6

Ignition Units for Pilot Burners of Flares (longer distance) Common Data

function	ignition and flame detection for pilot burner(s) or ignition lance(s)	
power supply	230, 115 or 24 VAC 50–60 Hz, option: for DC or battery back-up	
ignition	100% electronic, type SVECU	
spark energy	SVECU: 9 or 18 J	E-SPARK: 4 J
spark voltage	SVECU: 3000 V	E-SPARK: 2000 V
spark frequency	0,5 or 2 Hz depending on type pilot burner or lance	
flame detection	thermocouple relay type K	
control	by small PLC	
enclosure	IP66 general purpose or explosion proof (ATEX), option: explosion proof for IIC	
material	painted steel for IP66 enclosure, cast aluminium for ex-proof enclosure option: SST enclosure	
LED signal lamps	yellow power on, green for pilot on, red for pilot off, red for ignition failure	
switches	main power isolator, start, stop, reset and lamp test	
contacts	pilot on/off, ignition failure option for 4–20 mA	

	for one pilot burner	for two pilot burners	for three pilot burners
type	SVECU X/2-EJB5-H4D4ST-L-CR	2 SVECU X/2-2EJB5-H4D6S2T-L-CR	3 SVECU X/2-2EJB5-H4D8S3T-L-CR
construction	1 Ex d housing	2 Ex d housings	2 Ex d housings
number of ignition units	1	2	3
max. distance	250 m	250 m	250 m
option for	500 m	500 m	500 m option: for more pilot burners

	for one pilot burner	for two pilot burners	for three pilot burners
type	E-SPARK X/2-EJB5-H4D4ST-L-CR	E-SPARK X/2-2EJB5-H4D6S2T-L-CR	E-SPARK X/2-2EJB5-H4D8S3T-L-CR
construction	1 Ex d housing	2 Ex d housings	2 Ex d housings
number of ignition units	1	2	3
max. distance	70 m	70 m	70 m