

D-VE 500

Pneumatic retraction unit

Optimal ignition position – longer service life of the ignition tip

- Automatic retraction and extension of ignition lances
- Hollow piston rod cylinder to hold the ignition lance
- Also available as explosion-protected version



FEATURES

- **Hollow piston rod cylinder**
 - Ignition lances guided through piston rod
 - Specially developed for 22 mm ignition lances
- **High-performance cylinder with Ø=63 mm**
Enables smooth, reliable movement even at low operating pressure
- **Wide temperature range**
 - Standard cylinders up to +80 °C and special cylinders up to 120 °C
 - Optional thermal cover for low temperatures
- **Explosion-protected and safe versions**
 - ATEX, as well as IECEx and FM on request
 - Limit switches and solenoid valves up to SIL 3 available
- **Pressure-tight versions up to 4.8 bar**
For igniting hazardous and toxic gases in the combustion chamber

TECHNICAL DATA

Retraction unit D-VE 5xx	
Traverse distance	<ul style="list-style-type: none"> • D-VE 532...: 300 mm • D-VE 542...: 400 mm • D-VE 552...: 500 mm • D-VE 562...: 600 mm • Others available on request
Options	<ul style="list-style-type: none"> • D-VE .../N: Purge air connection ¼" • D-VE .../KN: Terminal box + purge air connection ¼" • D-VE .../D: Pressure tested up to 4.8 bar • D-VE .../KD: Terminal box + pressure tested up to 4.8 bar • D-VE .../F: Flange connection to ignition lance
Traverse repetitions	> 100,000 strokes
Compressed air	<ul style="list-style-type: none"> • D-VE 5xx-x1/x2: 2 ... 8 bar • D-VE 5xx-x3/x4: 2 ... 10 bar
Installation diameter	> 45 mm with protection tube (standard) > 32 mm without protection tube (on request)
Ambient conditions *	-20 ... +70 °C (non-Ex) -20 ... +60 °C (Ex)
Degree of protection	IP65
Weight	<ul style="list-style-type: none"> • D-VE 532: 9.0 kg • D-VE 542: 11.0 kg • D-VE 552: 12.5 kg • D-VE 562: 14.0 kg
Explosion protection	D-VE 5x2-x2, D-VE 5x2-x4 II 2G Ex h IIC T4 Gb

BENEFITS

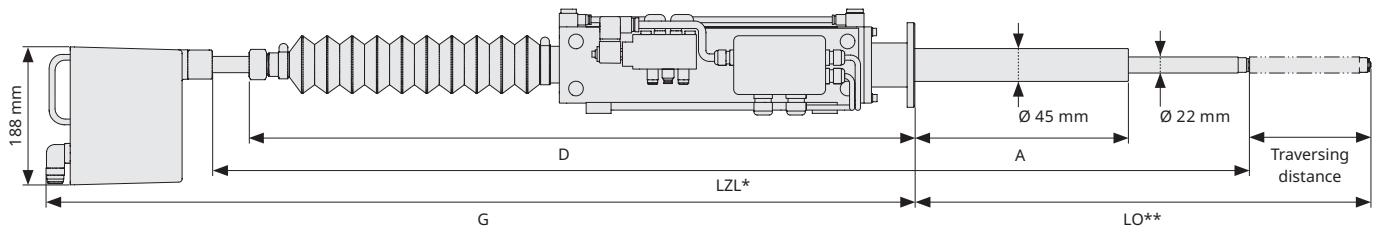
- **Cost savings**
 - Less wear of the ignition tips, as only briefly in the hot area
 - Low service costs due to low-wear, unique hollow cylinder
- **Flexible system**
 - Different traverse distance lengths for optimum adaptation to the application
 - Modular design – wide range of solenoid valves and limit switches
- **Reliable and durable**
Special piston rod cylinders for more than 100,000 strokes

Solenoid valves**	
Ambient conditions	<ul style="list-style-type: none"> • D-VE 5x2-x0: Without solenoid valve • D-VE 5x2-x1: Safe zone: -5 ... + 50 °C • D-VE 5x2-x2: Ex version: -5 ... + 40 °C • D-VE 5x2-x3: Safe zone: -20 ... +60 °C • D-VE 5x2-x4: Ex version: -20 ... + 60 °C
Electrical data	<ul style="list-style-type: none"> • D-VE... 24 DC: 24 VDC +/-10% • D-VE ... 230 VAC: 230 VAC +/-10% • D-VE ... 115 VAC: 115 VAC +/-10% • Others available on request
Explosion protection	<ul style="list-style-type: none"> • D-VE 5x2-x2: II 2G Ex mb IIC T5 Gb • D-VE 5x2-x4: II 2G Ex mb IIC T4 Gb
Limit switches**	
Options	<ul style="list-style-type: none"> • D-VE 5x2-1x (safe zone): Magnetic reed contact, NO contact maximum 250 VAC, 40 VA • D-VE 5x2-2x (Ex version): Type: Turck BIM-IKT-Y1X, 8.2 VDC NAMUR, as per EN 60947-5-6, separate disconnecter required Ex ia
Explosion protection	D-VE 5x2-2x: II 2G Ex ia IIC T6 Gb

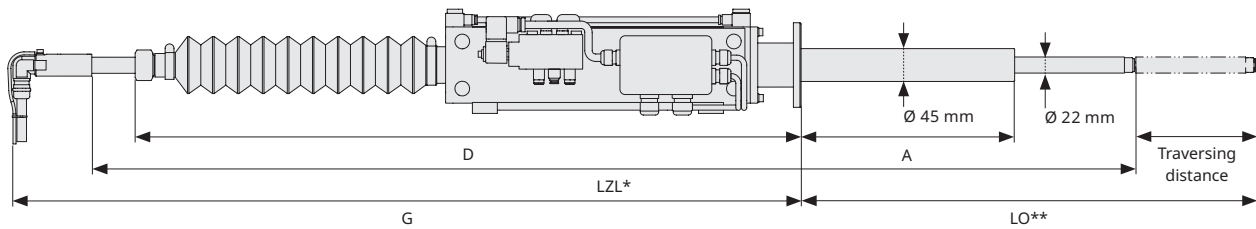
* The ambient conditions refer to the retraction unit excluding the solenoid valve. Note the permitted ambient temperature for the solenoid valve used.

** Other limit switches and solenoid valves available as special variants.

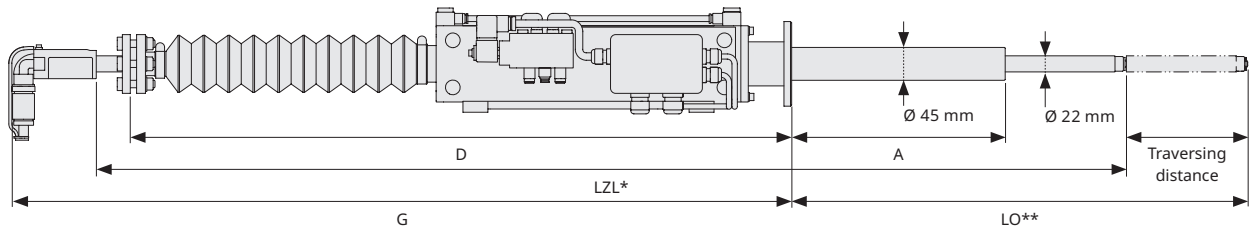
D-VE 5XX + D-HG 500-5X | COMPACT HIGH ENERGY IGNITER



D-VE 5XX + D-ZL 521 | SEPARATE HIGH ENERGY IGNITER

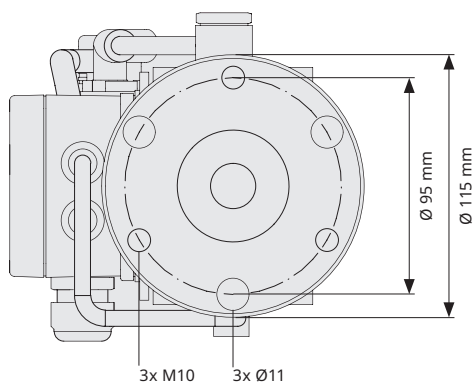


D-VE 5XX /F + D-ZL 441EX | HIGH ENERGY IGNITER EX WITH FLANGE

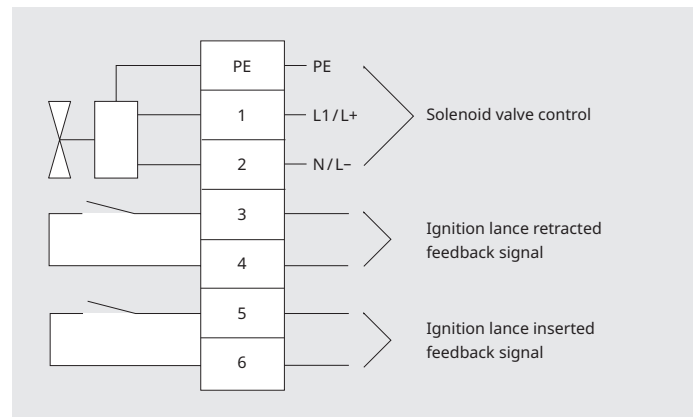


	Traversing distance	General		Compact with D-HG		Separate with D-ZL 521		Flange with D-ZL 441Ex	
		A	G	LZL	G	LZL	G	LZL	
D-VE 532	300	291	1,188	LO + 658	1,074	LO + 658	1,060	LO + 647	
D-VE 542	400	391	1,398	LO + 768	1,284	LO + 768	1,270	LO + 757	
D-VE 552	500	491	1,608	LO + 878	1,494	LO + 878	1,480	LO + 867	
D-VE 562	600	591	1,828	LO + 998	1,714	LO + 998	1,700	LO + 987	

MOUNTING FLANGE***



TERMINAL BOX CONNECTION DIAGRAM (ACCESSORIES)



* Ignition lance length (LZL): This is the recommended total length for the ignition lance
 ** Immersion depth (LO): The dimension results from the optimum ignition position and must be specified by the customer
 *** Others on request

DURAG GROUP

DURAG GROUP

Kollastr. 105
22453 Hamburg, Germany
Phone +49 40 554218-0
info@durag.com

DURAG.COM